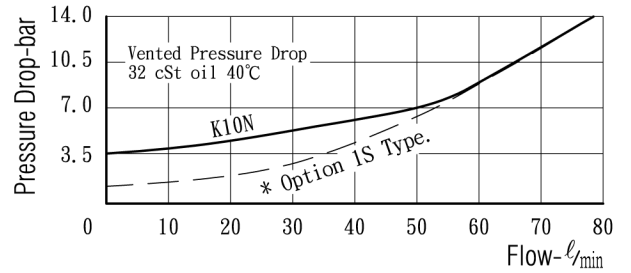


插式調壓閥 Relief Cartridge Valves - Vented.

- 閥系說明：透氣型, 引導式。
Description : Vented type, Pilot operated.
- 通過流量 Flow rating $Q_{max.} : 50 \ell_{min.}$
- 最高壓力 Max. pressure $P_{max.} : 315 \text{ bar.}$
- 插式閥重 Cartridge only weight : K - 0.17 kg.
L - 0.14 kg.

壓損曲線 Flow-Pres. Drop Curve



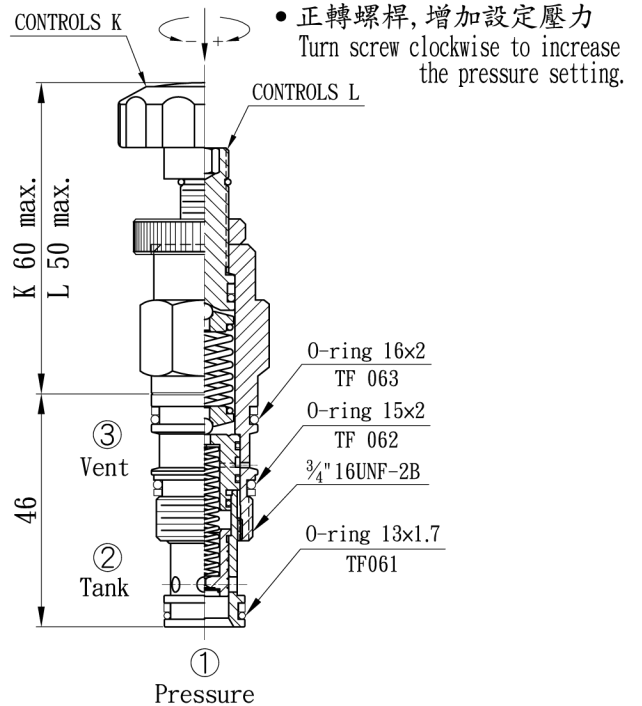
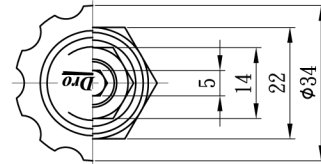
選購型號 Ordering Code

C V R - 0 6 3 - L 1 0 N

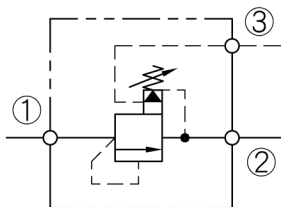
① ② ③ ④ ⑤

- ① 調壓閥 - 透氣型
Relief Valves - Vented.
- ② 閥孔型號
Cavity Size.
- ③ 調整方式 Controls.
L - 螺桿調整. Standard Screw Adjustment
K - 旋鈕調整. Handknob & Locknob Adj.
- ④ 壓力調整範圍
Adjustment Ranges.
10 - 5 to 100 bar.
20 - 7 to 210 bar.
30 - 10 to 315 bar.
1S - 3.5 to 100 bar. (Option)
2S - 5 to 210 bar. (Option)
- ⑤ 油封材質
Seals : N - 丁腈橡膠. Buna N.
V - 氟橡膠. Viton.

插閥尺寸 Dimensions(mm)



油壓符號 Symbol



閥孔型號 Valve Cavity : C063
成型刀具 Cavity Tools : CTD6-D, CTD6-R

插式調壓閥 Relief Cartridge Valves - Vented.

- 閥系說明：透氣型, 引導式.
Description : Vented type, Pilot operated.
- 通過流量 Flow rating $Q_{max.} : 100 \ell_{min.}$
- 最高壓力 Max. pressure $P_{max.} : 315 \text{ bar.}$
- 插式閥重 Cartridge only weight : K - 0.29 kg.
L - 0.25 kg.

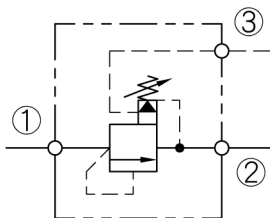
選購型號 Ordering Code

C V R - 0 9 3 - L 1 0 N

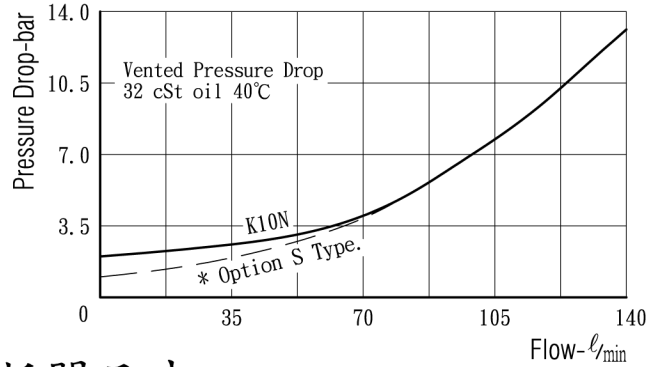
① ② ③ ④ ⑤

- ① 調壓閥 - 透氣型
Relief Valves - Vented.
- ② 閥孔型號
Cavity Size.
- ③ 調整方式 Controls.
L - 螺桿調整. Standard Screw Adjustment
K - 旋鈕調整. Handknob & Locknob Adj.
- ④ 壓力調整範圍
Adjustment Ranges.
10 - 5 to 100 bar.
20 - 7 to 210 bar.
30 - 10 to 315 bar.
1S - 3.5 to 100 bar. (Option)
2S - 5 to 210 bar. (Option)
- ⑤ 油封材質
Seals : N - 丁腈橡膠. Buna N.
V - 氟橡膠. Viton.

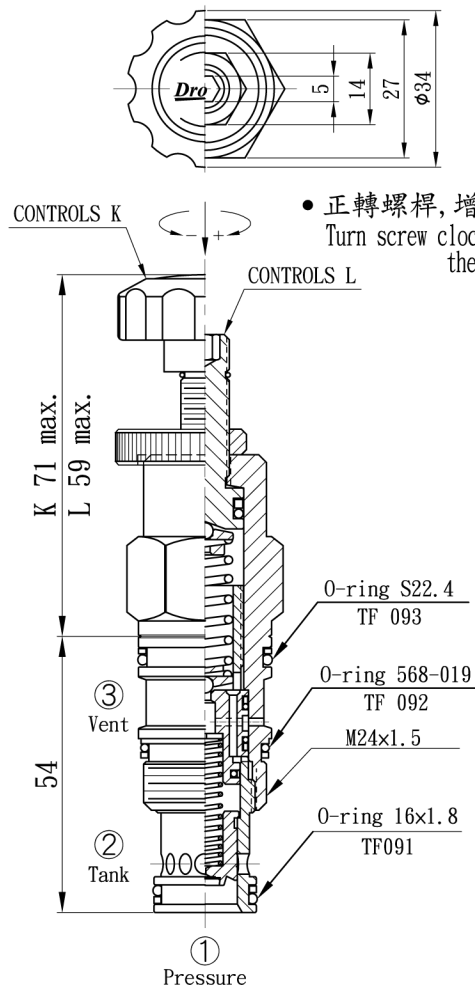
油壓符號 Symbol



壓損曲線 Flow-Pres. Drop Curve



插閥尺寸 Dimensions(mm)



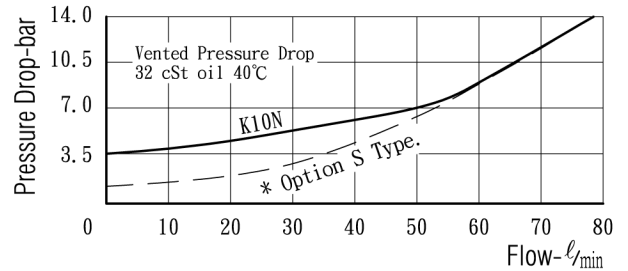
• 正轉螺桿, 增加設定壓力
Turn screw clockwise to increase the pressure setting.

閥孔型號 Valve Cavity : C093
成型刀具 Cavity Tools : CT39-D, CT39-R

插式調壓閥 Relief Cartridge Valves - Vented.

- 閥系說明：透氣型, 引導式。
Description : Vented type, Pilot operated.
- 通過流量 Flow rating $Q_{max.} : 50 \ell_{min.}$
- 最高壓力 Max. pressure $P_{max.} : 315 \text{ bar.}$
- 插式閥重 Cartridge only weight : K - 0.19 kg.
L - 0.15 kg.

壓損曲線 Flow-Pres. Drop Curve



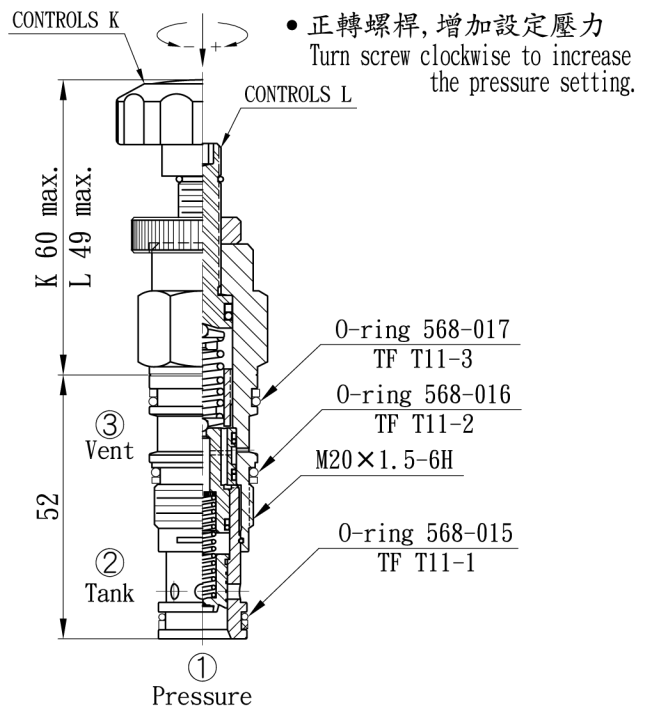
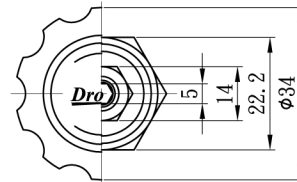
選購型號 Ordering Code

C V R - T 1 1 - L 1 0 N

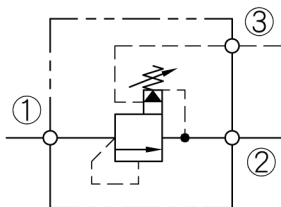
① ② ③ ④ ⑤

- ① 調壓閥 - 透氣型
Relief Valves - Vented.
- ② 閥孔型號
Cavity Size.
- ③ 調整方式 Controls.
L - 螺桿調整. Standard Screw Adjustment
K - 旋鈕調整. Handknob & Locknob Adj.
- ④ 壓力調整範圍
Adjustment Ranges.
10 - 5 to 100 bar.
20 - 7 to 210 bar.
30 - 10 to 315 bar.
1S - 3.5 to 100 bar. (Option)
2S - 5 to 210 bar. (Option)
- ⑤ 油封材質
Seals : N - 丁腈橡膠. Buna N.
V - 氟橡膠. Viton.

插閥尺寸 Dimensions(mm)



油壓符號 Symbol



閥孔型號 Valve Cavity : T11
成型刀具 Cavity Tools : CT11-D, CT11-R

插式調壓閥 Relief Cartridge Valves - Vented.

- 閥系說明：透氣型, 引導式.
Description : Vented type, Pilot operated.
- 通過流量 Flow rating $Q_{max.} : 100 \text{ l/min.}$
- 最高壓力 Max. pressure $P_{max.} : 315 \text{ bar.}$
- 插式閥重 Cartridge only weight : K - 0.29 kg.
L - 0.25 kg.

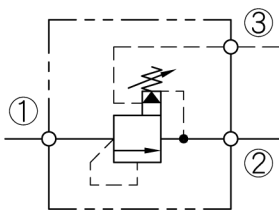
選購型號 Ordering Code

CVR - T02 - L10N

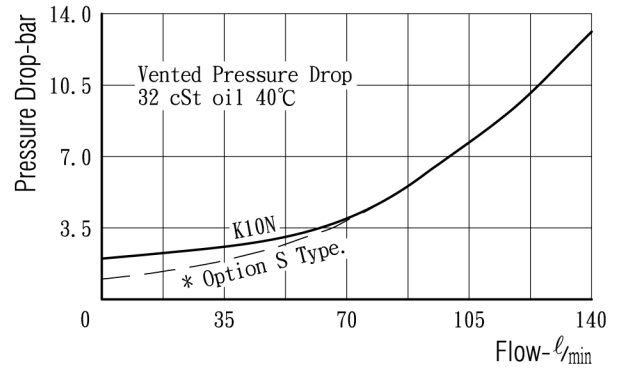
① ② ③ ④ ⑤

- ① 調壓閥 - 透氣型
Relief Valves - Vented.
- ② 閥孔型號
Cavity Size.
- ③ 調整方式 Controls.
L - 螺桿調整. Standard Screw Adjustment
K - 旋鈕調整. Handknob & Locknob Adj.
- ④ 壓力調整範圍
Adjustment Ranges.
10 - 5 to 100 bar.
20 - 7 to 210 bar.
30 - 10 to 315 bar.
1S - 4 to 100 bar. (Option)
2S - 5 to 210 bar. (Option)
- ⑤ 油封材質
Seals : N - 丁腈橡膠. Buna N.
V - 氟橡膠. Viton.

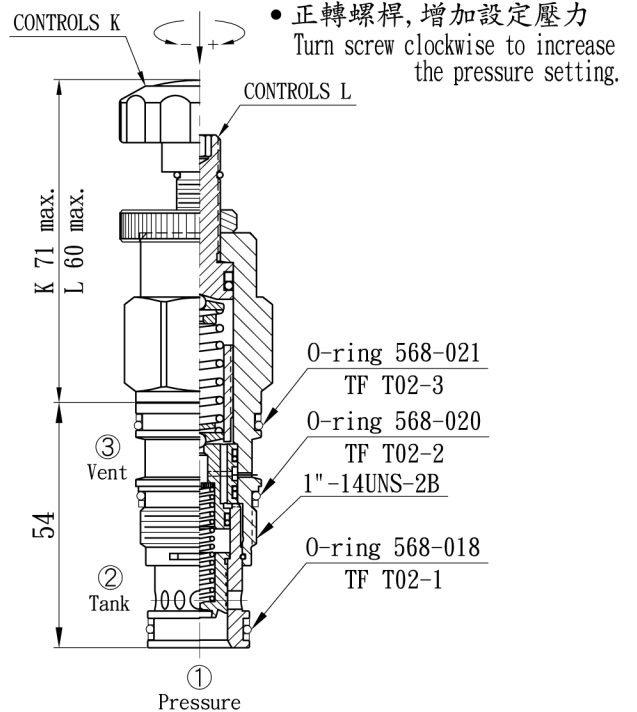
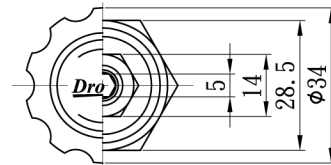
油壓符號 Symbol



壓損曲線 Flow-Pres. Drop Curve



插閥尺寸 Dimensions(mm)



閥孔型號 Valve Cavity : T02
 成型刀具 Cavity Tools : CT02-D, CT02-R

插式調壓閥 Relief Cartridge Valves - Vented.

- 閥系說明：透氣型, 引導式.
Description : Vented type, Pilot operated.
- 通過流量 Flow rating $Q_{max.} : 250 \text{ l/min.}$
- 最高壓力 Max. pressure $P_{max.} : 315 \text{ bar.}$
- 插式閥重 Cartridge only weight : K - 0.66 kg.
L - 0.62 kg.

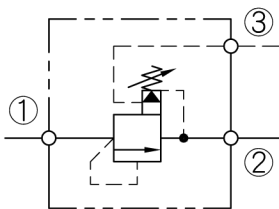
選購型號 Ordering Code

C V R - T 1 7 - L 1 0 N

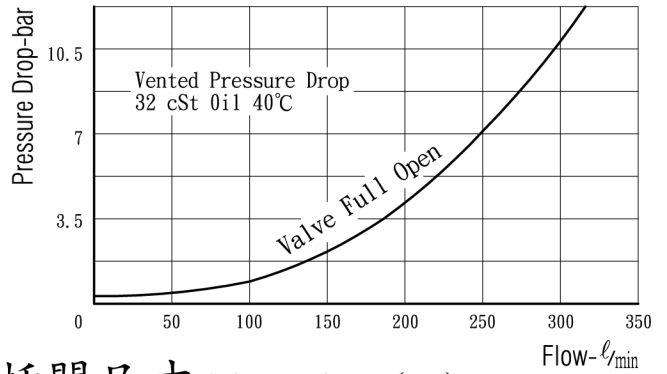
① ② ③ ④ ⑤

- ① 調壓閥 - 透氣型
Relief Valves - Vented.
- ② 閥孔型號
Cavity Size.
- ③ 調整方式 Controls.
L - 螺桿調整. Standard Screw Adjustment
K - 旋鈕調整. Handknob & Locknob Adj.
- ④ 壓力調整範圍
Adjustment Ranges.
10 - 5 to 100 bar.
20 - 7 to 210 bar.
30 - 10 to 315 bar.
1S - 4 to 100 bar. (Option)
2S - 5 to 210 bar. (Option)
- ⑤ 油封材質
Seals : N - 丁腈橡膠. Buna N.
V - 氟橡膠. Viton.

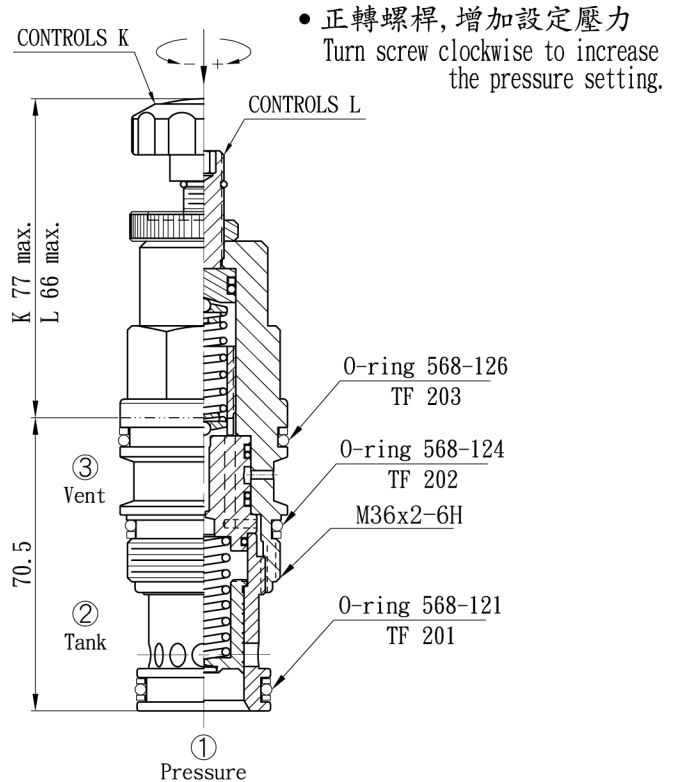
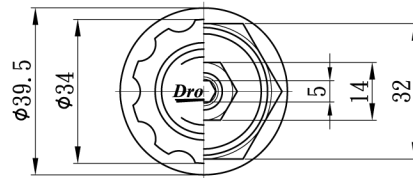
油壓符號 Symbol



壓損曲線 Flow-Pres. Drop Curve



插閥尺寸 Dimensions(mm)



閥孔型號 Valve Cavity : T17
成型刀具 Cavity Tools : CT17-D, CT17-R