

插式減洩壓閥 Reducing/Relieving Cartridge Valves.

- 閥系說明：引導型, 平衡滑柱。
Description : Pilot operated, Balanced spool.
- 通過流量 Flow rating $Q_{max.} : 30 \text{ l/min.}$
- 最高壓力 Max. pressure $P_{max.} : 315 \text{ bar.}$
- 插式閥重 Cartridge only weight : K - 0.17 kg.
L - 0.14 kg.

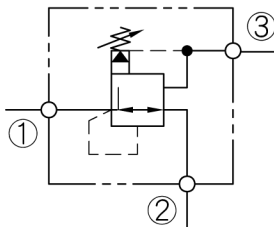
選購型號 Ordering Code

C R R - 0 6 3 - L 1 0 N

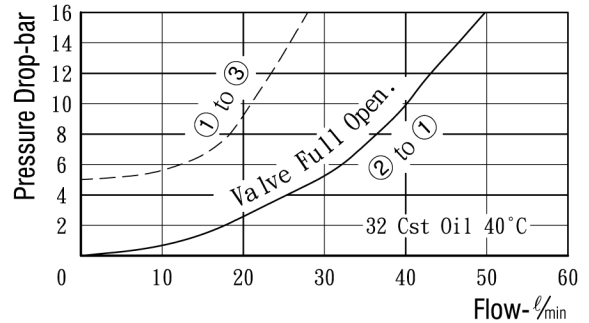
① ② ③ ④ ⑤

- ① 減洩壓閥
Reducing/Relieving Valves.
- ② 閥孔型號
Cavity Size.
- ③ 調整方式 Controls.
L - 螺桿調整. Standard Screw Adjustment
K - 旋鈕調整. Handknob & Locknob Adj.
- ④ 壓力調整範圍
Adjustment Ranges.
10 - 5 to 100 bar.
20 - 7 to 210 bar.
- ⑤ 油封材質
Seals : N - 丁腈橡膠. Buna N.
V - 氟橡膠. Viton.

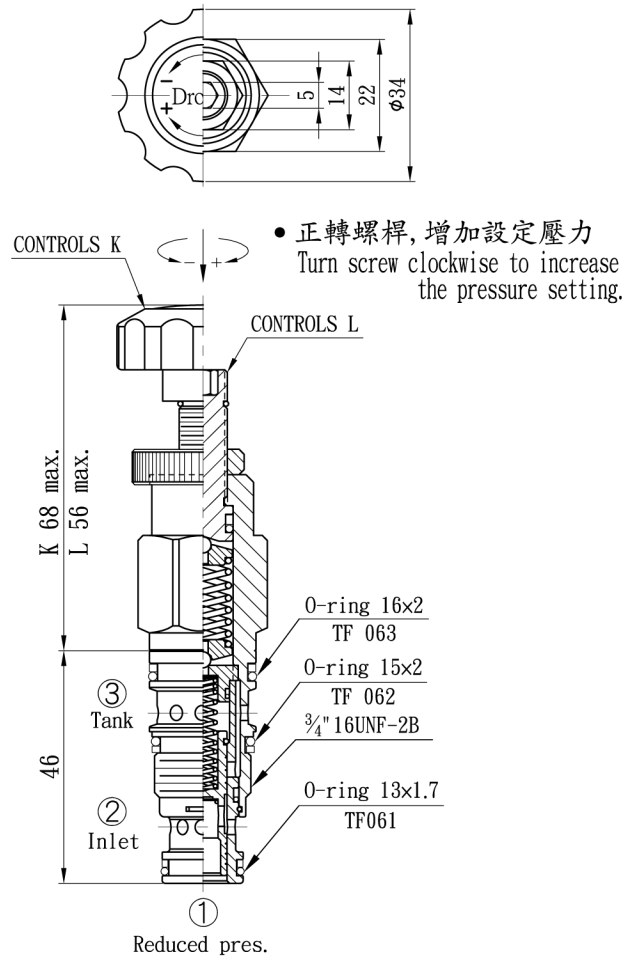
油壓符號 Symbol



壓損曲線 Flow-Pres. Drop Curve



插閥尺寸 Dimensions(mm)



• 正轉螺桿, 增加設定壓力
Turn screw clockwise to increase the pressure setting.

閥孔型號 Valve Cavity : C063
成型刀具 Cavity Tools : CTD6-D, CTD6-R

插式減洩壓閥 Reducing/Relieving Cartridge Valves.

- 閥系說明：引導型, 平衡滑柱。
Description : Pilot operated, Balanced spool.
- 通過流量 Flow rating $Q_{max.} : 50 \ell_{min.}$
- 最高壓力 Max. pressure $P_{max.} : 315 \text{ bar.}$
- 插式閥重 Cartridge only weight : K - 0.29 kg.
L - 0.25 kg.

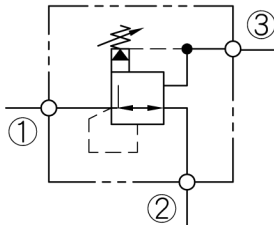
選購型號 Ordering Code

C R R - 0 9 3 - L 1 0 N

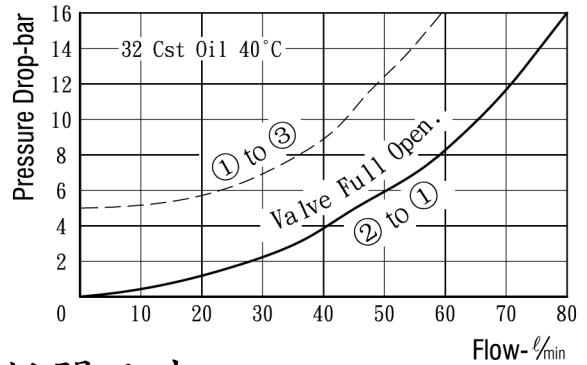
① ② ③ ④ ⑤

- ① 減洩壓閥
Reducing/Relieving Valves.
- ② 閥孔型號
Cavity Size.
- ③ 調整方式 Controls.
L - 螺桿調整. Standard Screw Adjustment
K - 旋鈕調整. Handknob & Locknob Adj.
- ④ 壓力調整範圍
Adjustment Ranges.
10 - 5 to 100 bar.
20 - 7 to 210 bar.
- ⑤ 油封材質
Seals : N - 丁腈橡膠. Buna N.
V - 氟橡膠. Viton.

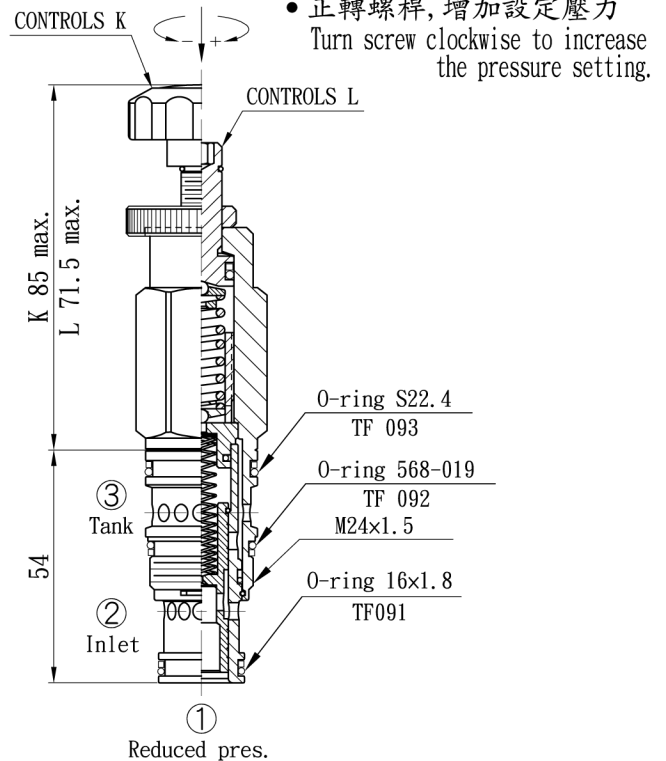
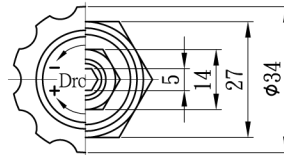
油壓符號 Symbol



壓損曲線 Flow-Pres. Drop Curve



插閥尺寸 Dimensions(mm)



閥孔型號 Valve Cavity : C093
成型刀具 Cavity Tools : CT39-D, CT39-R

插式減洩壓閥 Reducing/Relieving Cartridge Valves.

- 閥系說明：引導型, 平衡滑柱。
Description : Pilot operated, Balanced spool.
- 通過流量 Flow rating $Q_{max.} : 30 \ell/min.$
- 最高壓力 Max. pressure $P_{max.} : 315 \text{ bar.}$
- 插式閥重 Cartridge only weight : K - 0.17 kg.
L - 0.14 kg.

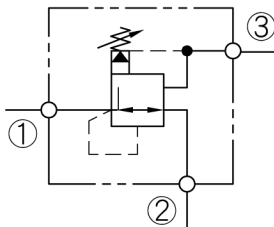
選購型號 Ordering Code

C R R - T 1 1 - L 1 0 N

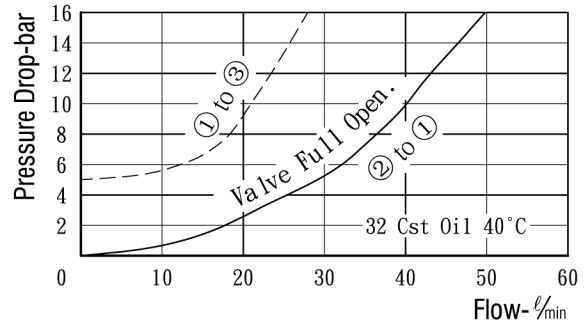
① ② ③ ④ ⑤

- ① 減洩壓閥
Reducing/Relieving Valves.
- ② 閥孔型號
Cavity Size.
- ③ 調整方式 Controls.
L - 螺桿調整. Standard Screw Adjustment
K - 旋鈕調整. Handknob & Locknob Adj.
- ④ 壓力調整範圍
Adjustment Ranges.
10 - 5 to 100 bar.
20 - 7 to 210 bar.
- ⑤ 油封材質
Seals : N - 丁腈橡膠. Buna N.
V - 氟橡膠. Viton.

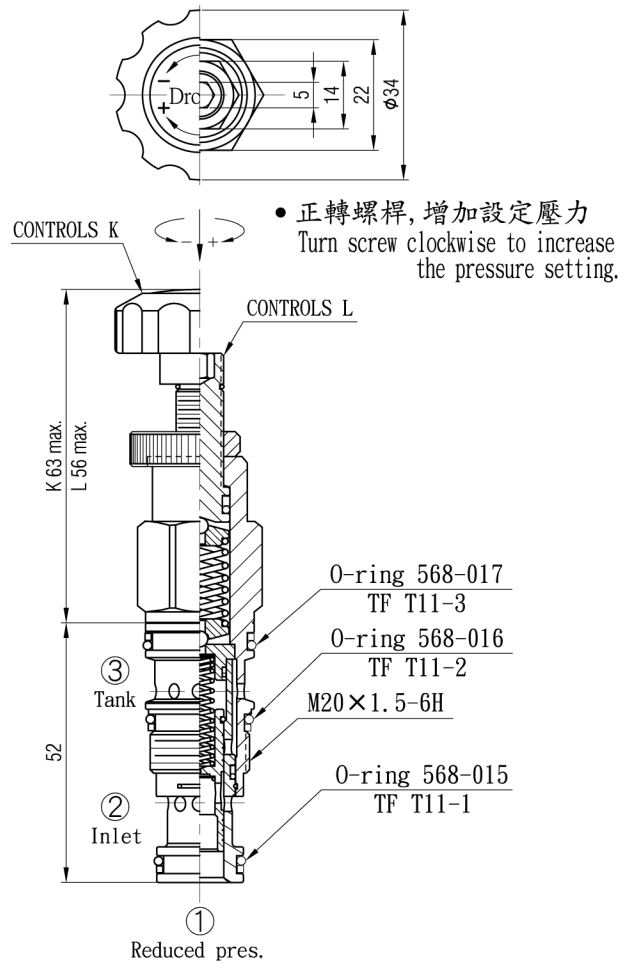
油壓符號 Symbol



壓損曲線 Flow-Pres. Drop Curve



插閥尺寸 Dimensions(mm)



閥孔型號 Valve Cavity : T11A
成型刀具 Cavity Tools : CT11-D, CT11-R

插式減洩壓閥 Reducing/Relieving Cartridge Valves.

- 閥系說明：引導型, 平衡滑柱。
Description : Pilot operated, Balanced spool.
- 通過流量 Flow rating $Q_{max.} : 60 \ell_{min.}$
- 最高壓力 Max. pressure $P_{max.} : 315 \text{ bar.}$
- 插式閥重 Cartridge only weight : K - 0.29 kg.
L - 0.25 kg.

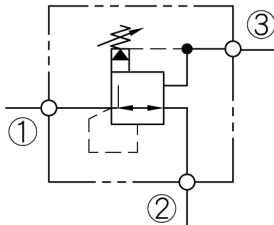
選購型號 Ordering Code

C R R - T 0 2 - L 1 0 N

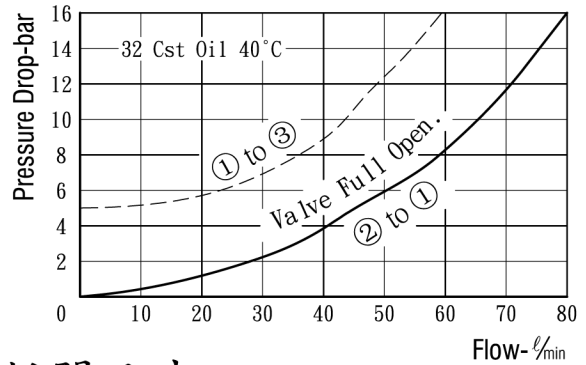
① ② ③ ④ ⑤

- ① 減洩壓閥
Reducing/Relieving Valves.
- ② 閥孔型號
Cavity Size.
- ③ 調整方式 Controls.
L - 螺桿調整. Standard Screw Adjustment
K - 旋鈕調整. Handknob & Locknob Adj.
- ④ 壓力調整範圍
Adjustment Ranges.
10 - 5 to 100 bar.
20 - 7 to 210 bar.
- ⑤ 油封材質
Seals : N - 丁腈橡膠. Buna N.
V - 氟橡膠. Viton.

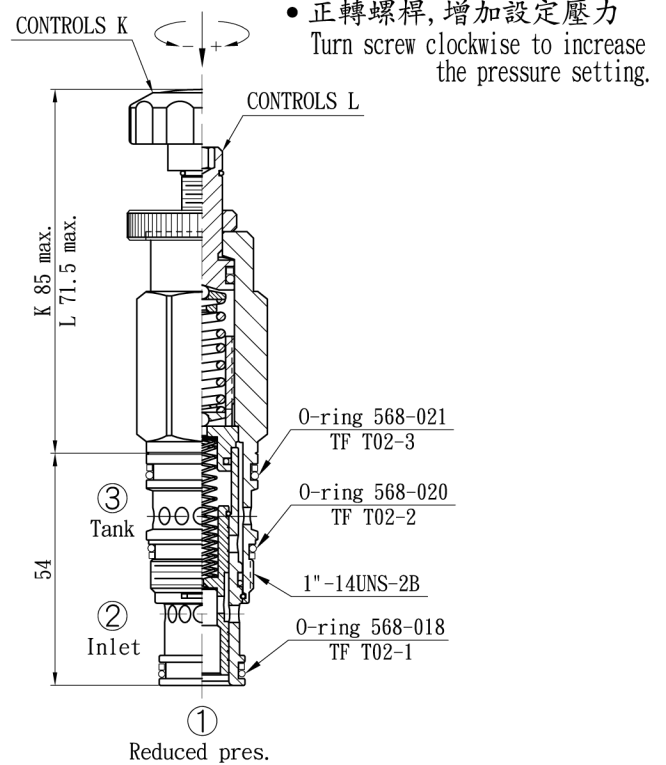
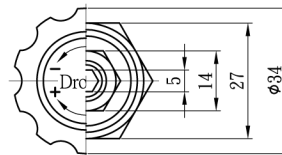
油壓符號 Symbol



壓損曲線 Flow-Pres. Drop Curve



插閥尺寸 Dimensions(mm)



閥孔型號 Valve Cavity : T02A
成型刀具 Cavity Tools : CT02-D, CT02-R